

BACKHUS 16.30



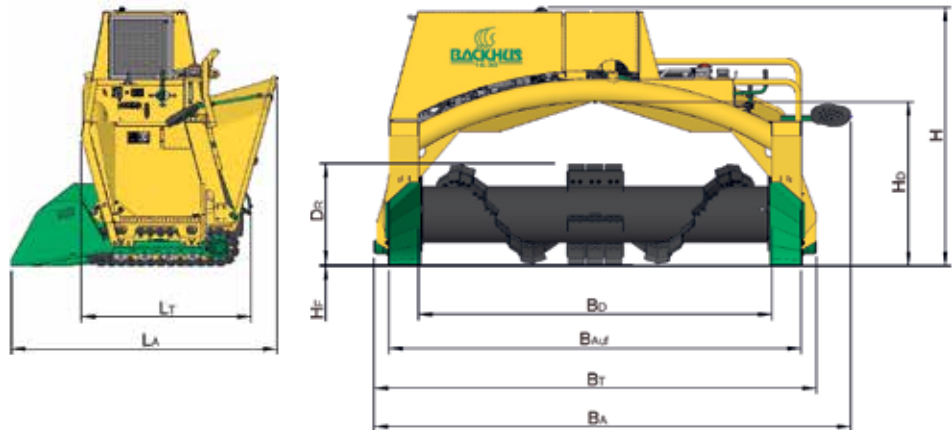
BACKHUS 16.30

The BACKHUS 16.30 is a robust, compact and manoeuvrable turner that is easy to operate. It requires little maintenance and provides superior performance. The fully selfpropelled 16.30 is easy to transport and assures maximum flexibility. It is ideally suited for use in the gardening, landscaping, fruitgrowing and market gardening sectors as well as for the maintenance of municipal parks.

Facts:

- Heavy-duty, compact design
- Economical diesel technology
- Height-adjustable, reversible rotor
- Fully hydraulic, low-maintenance drive
- Optional rear tailgate for material control
- Self-propelled, no tractor necessary - optimal utilization of space available
- Easy to transport and ready for use in no time at all

technical data



Eggersmann Anlagenbau
 BACKHUS GmbH
 Wischenstr. 26
 26188 Edewecht
 Germany

+49 4486 9284-0
 +49 4486 2424
 sales@backhus.com
 www.backhus.com



Find out more:
www.backhus.com/16.30

BACKHUS			16.30
working data			
heap width up to	BAuf	m (ft)	3,0 (9.9)
heap height up to		m (ft)	1,3 (4.3)
heap cross section*		m ² (yd ²)	2,2 (2.6)
turning capacity up to		m ³ /h (yd ³ /h)	700 (980)
forward feed speed		m/min (ft/min)	0-50 (0-160)
dimensions work			
clearance width	BD	mm (ft)	2.570 (8.4)
clearance height	HD	mm (ft)	1.200 (4.0)
length**	LA	mm (ft)	2.600 (8.5)
width**	BA	mm (ft)	3.500 (11.5)
height	H	mm (ft)	1.900 (6.3)
dimensions transport			
length**	LT	mm (ft)	1.350 (4.4)
width**	BTr	mm (ft)	4.200 (13.8)
height	H	mm (ft)	1.900 (6.3)
ground clearance max.	HF	mm (inch)	10-100 (0.4-4.0)
engine			
engine			Yanmar 4 TNV 88; 4 cyl.; 2,2 l; EU III A/EPA Interim Tier 4
power		kW (HP)	35,4 (47.5)
weight approx.**		kg (lbs)	1.700 (3,748)

* At a dumping angle of 45°

** Values may differ depending upon equipment